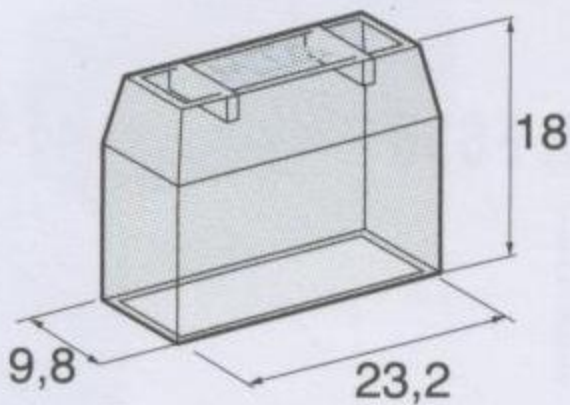


Fuseholder for printed circuits



Cover to protect the fuse