



EDISON OPTO CORPORATION

Edixeon Optical Lens Series

DATE : 2005/07/08

VERSION : 1.3

Device No. : 3-RD-01-E0004



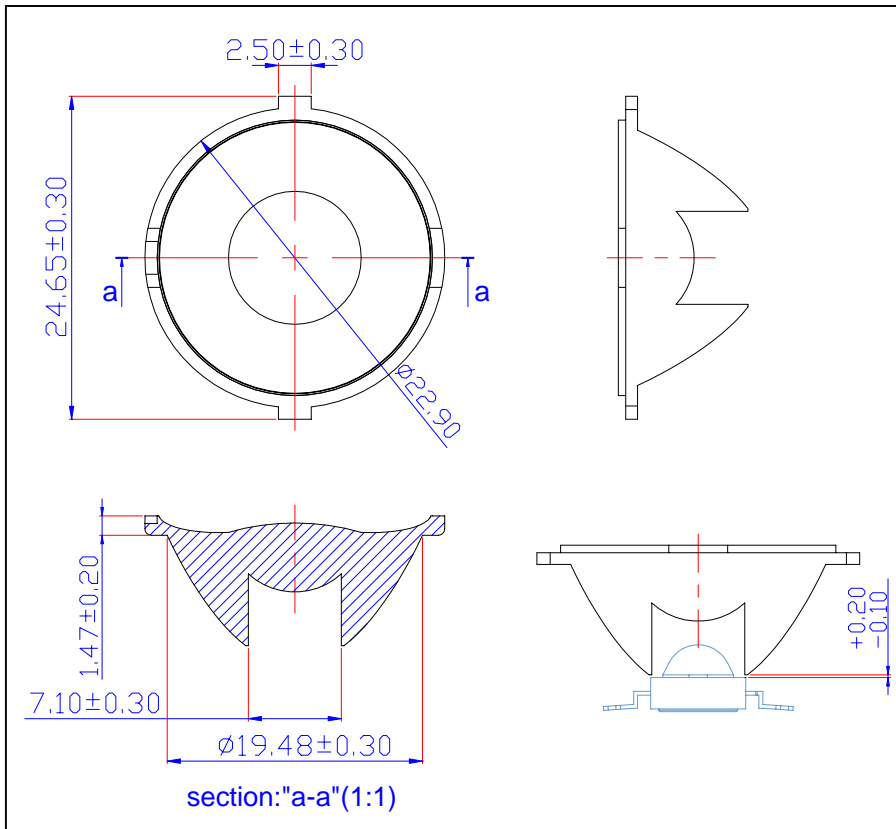
EDISON OPTO CORPORATION
*Office:5F, No. 800, Chung-Cheng Rd,
Chung-Ho, Taipei 235, Taiwan, R.O.C.*

*Tel: 886-2-8227-6996
Fax: 886-2-8227-6997
<http://www.edison-opto.com.tw>*

Collimator Group :

Angle	Collimator	Housing Color(with collimator)		
		Black	Clear	White
10°	--	EDOL-AA10-M13 	--	--
15°	EDOL-AA15-L1 	EDOL-AA15-M11 	EDOL-AA15-M14 	EDOL-AA15-M15 
25°	EDOL-AA25-L1 	EDOL-AA25-M12 	EDOL-AA25-M14 	EDOL-AA25-M15 
15°	EDOL-AA15-L1 	EDOL-AB15-M11 	EDOL-AB15-M14 	EDOL-AB15-M15 

EDOL-AA25-L1 Outlines

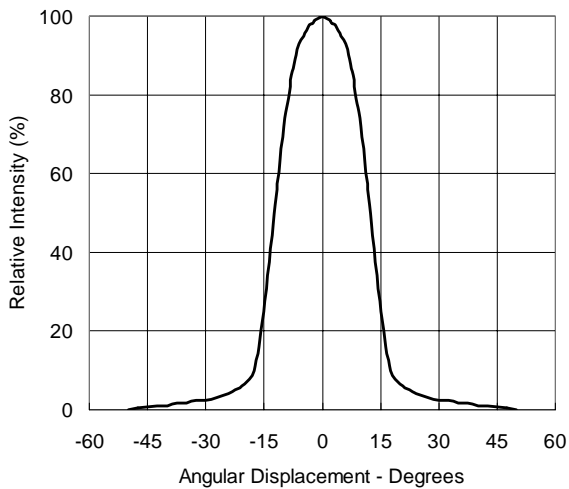


*1. Unit:mm

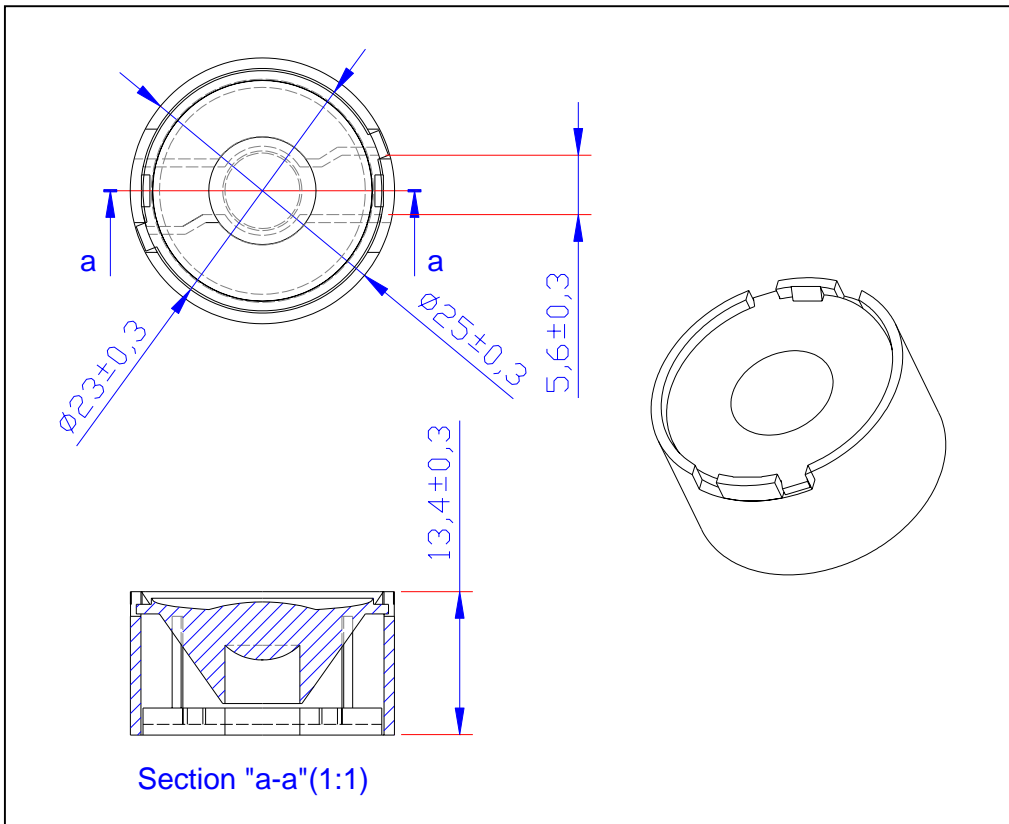
*2. Material is optical acrylic. Don't subject to temperature greater than 75°C as plastic deformation may occur.

*3. Work with Edixeon Lambertian or Focusing emitter.

Typical Radiation Pattern

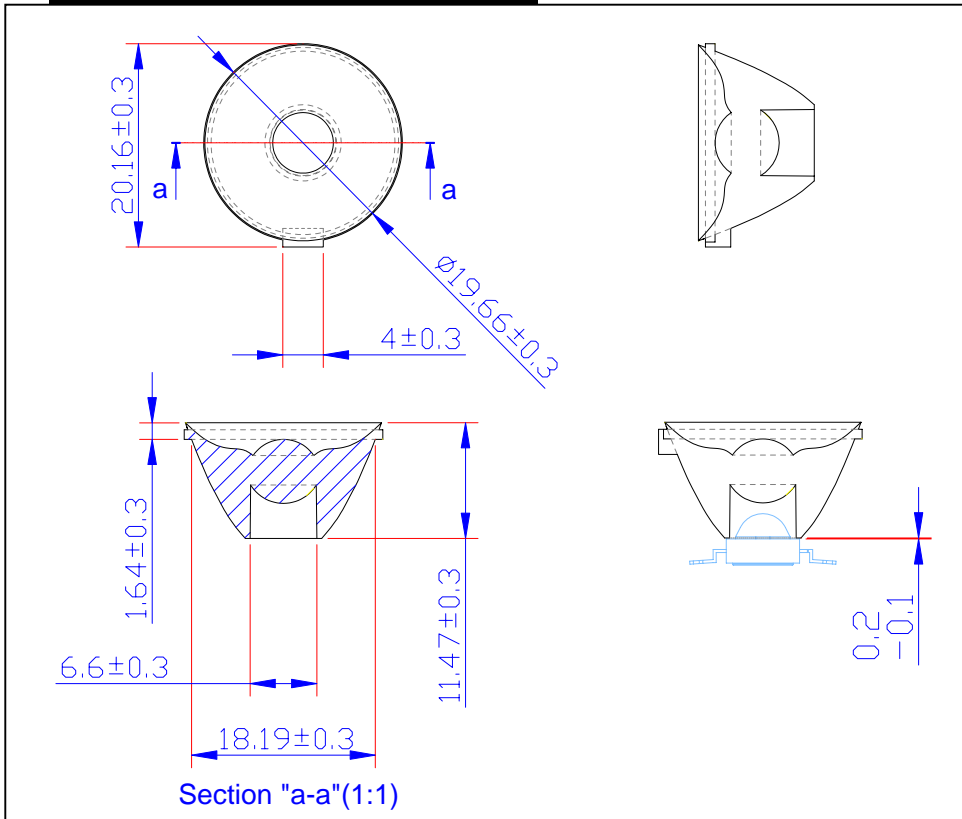


EDOL-AA25-M1x Outlines



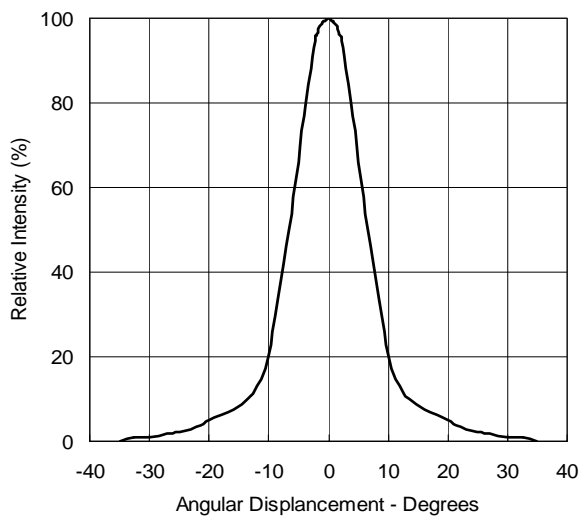
Unit:mm

EDOL-AA15-L1 Outlines

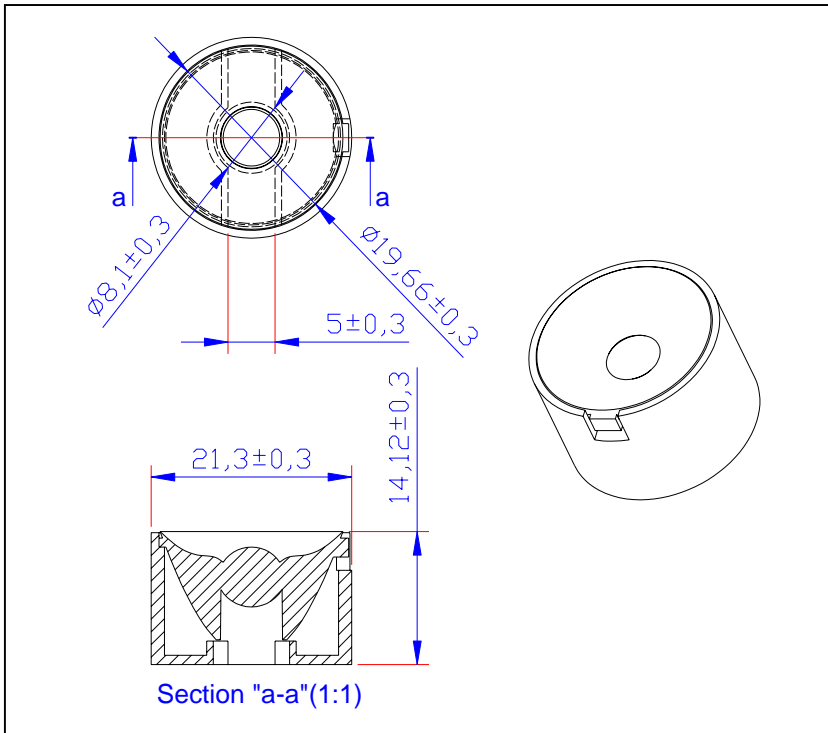


- *1. Unit:mm
- *2. Material is optical acrylic. Don't subject to temperature greater than 75°C as plastic deformation may occur.
- *3. Work with Edixeon Lambertian or Focusing emitter.

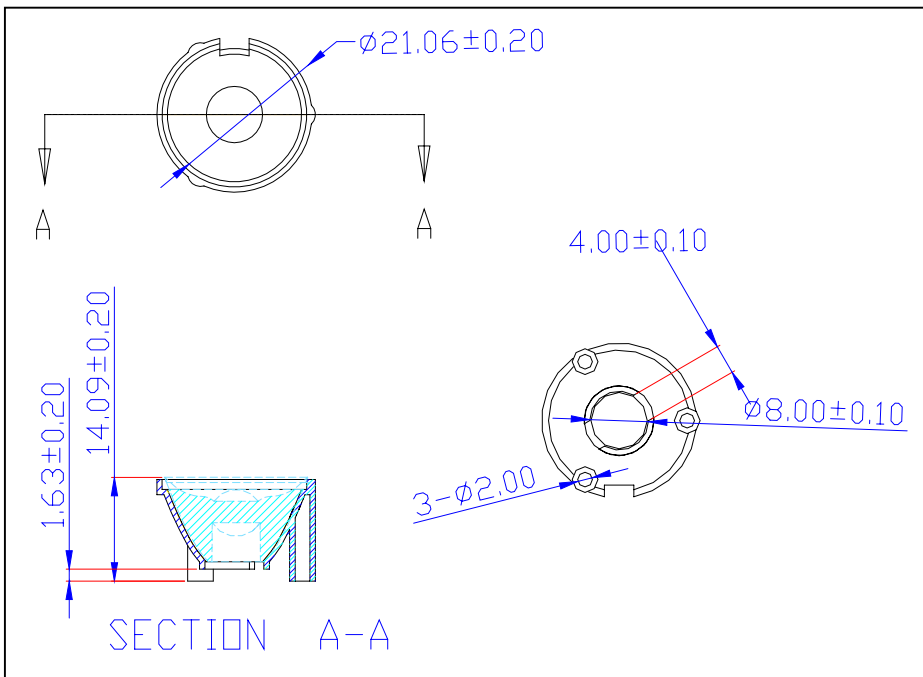
Typical Radiation Pattern



EDOL-AA15-M1x Outlines

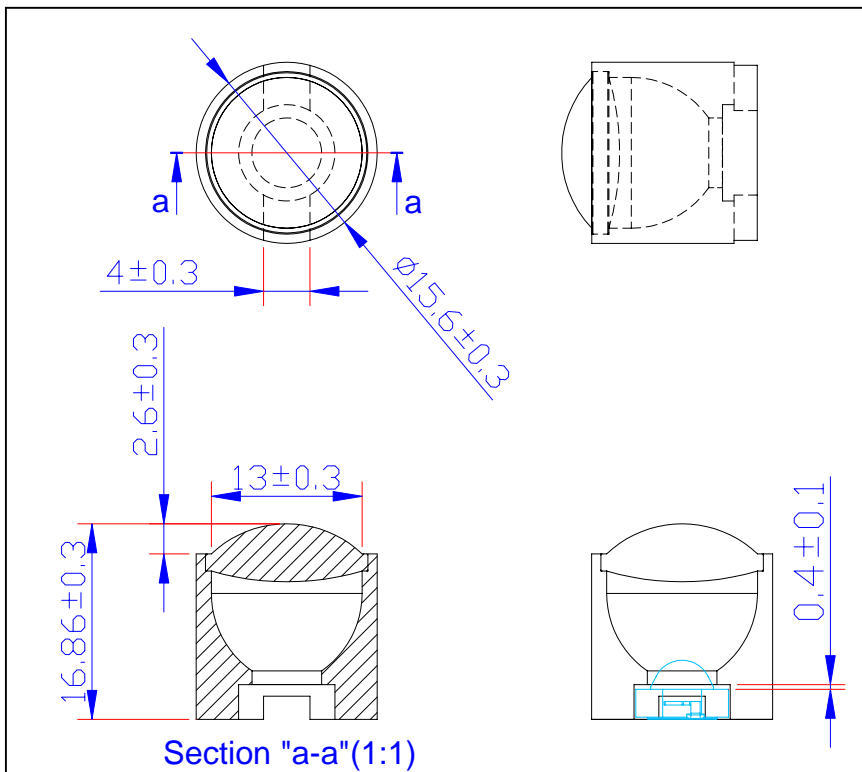


EDOL-AB15-M1x Outlines



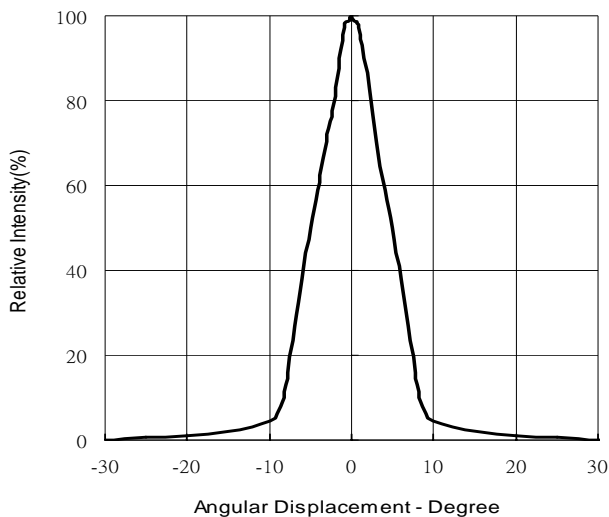
Unit:mm

EDOL-AA10-M13 Outlines



- *1. Unit:mm
- *2. Material is optical acrylic. Don't subject to temperature greater than 75°C as plastic deformation may occur.
- *3. Work with Edixeon Lambertian or Focusing emitter.

Typical Radiation Pattern



Revision History

Version	Page	Subjects (major changes since last revision)	Date
1.0			2004/09/07
1.1		Add collimator-15 lens and coherent lens	2005/02/16
1.2	All	Modify part No.	2005/03/07
1.3	2,3,4,5	Add clear and white housing of 15 and 25 collimator	2005/06/30